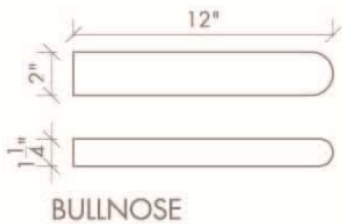
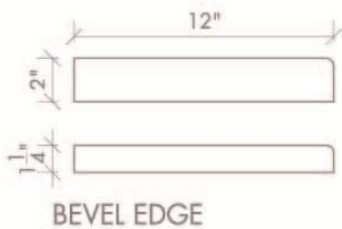
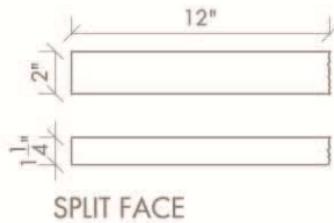


TREADS

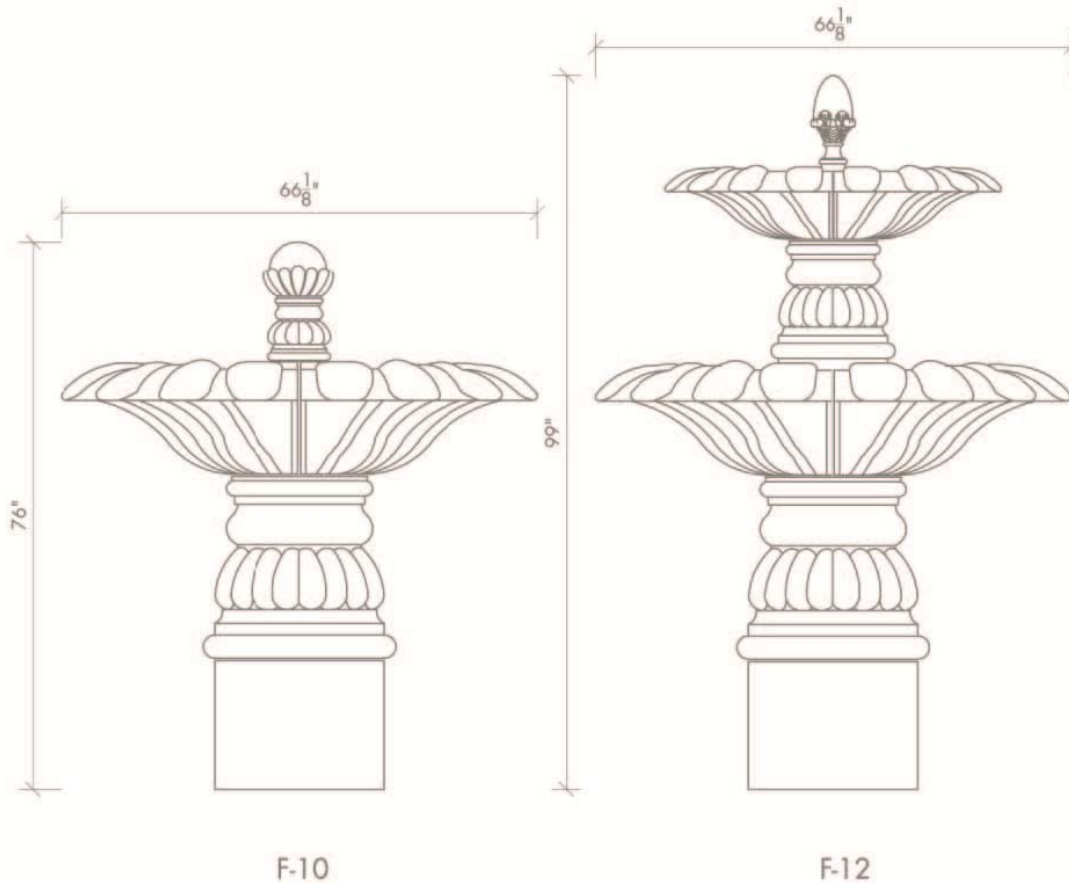
OVERALL DIMENSIONS



Additional Information: Architectural elements are available in 10 natural stones and hand carved with a Chateau (antiqued) or Classic (smooth) finish. Stone is a product of nature, therefore, its tone and color will vary. These drawings depict our standard designs with standard dimensions, and may be altered to better suit your specific project requirements. Most elements may be mixed and matched, creating designs more tailored to your needs. Custom designs are always welcome. Please contact a design or sales associate with any questions or for further details.

F10 & F12 FOUNTAINS

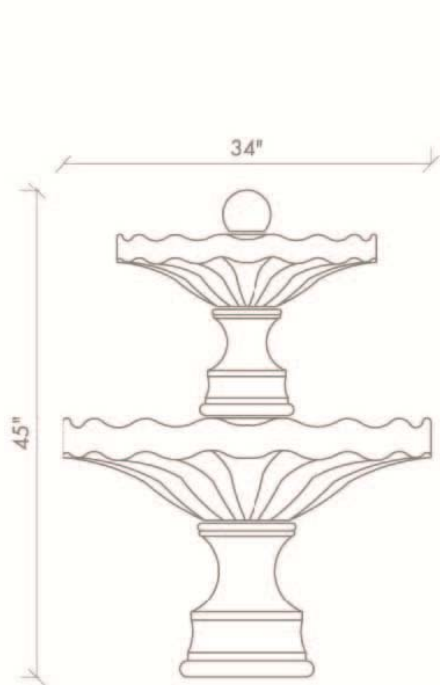
OVERALL DIMENSIONS



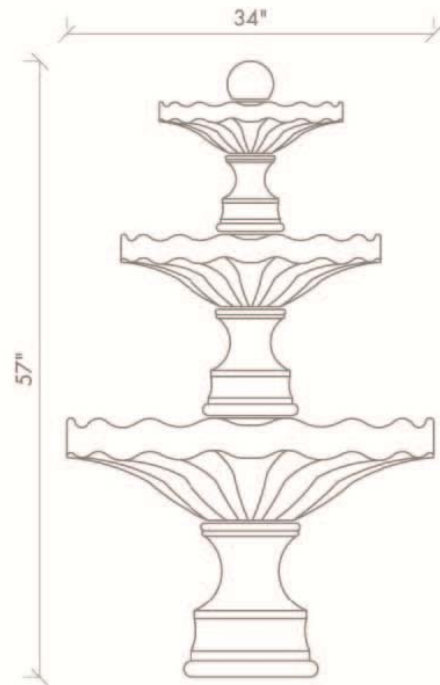
Additional Information: Architectural elements are available in 10 natural stones and hand carved with a Chateau (antiqued) or Classic (smooth) finish. Stone is a product of nature, therefore, its tone and color will vary. These drawings depict our standard designs with standard dimensions, and may be altered to better suit your specific project requirements. Most elements may be mixed and matched, creating designs more tailored to your needs. Custom designs are always welcome. Please contact a design or sales associate with any questions or for further details.

F16 & F18 FOUNTAINS

OVERALL DIMENSIONS



F-16

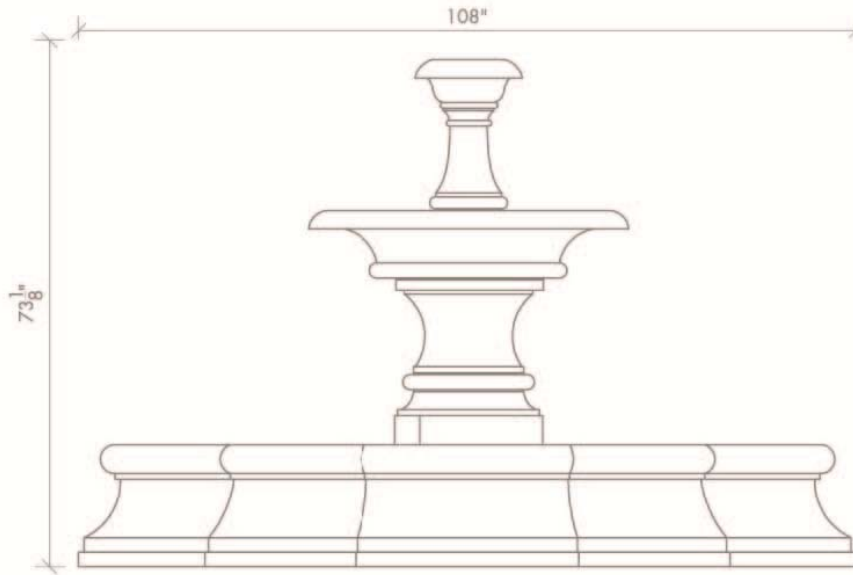


F-18

Additional Information: Architectural elements are available in 10 natural stones and hand carved with a Chateau (antiqued) or Classic (smooth) finish. Stone is a product of nature, therefore, its tone and color will vary. These drawings depict our standard designs with standard dimensions, and may be altered to better suit your specific project requirements. Most elements may be mixed and matched, creating designs more tailored to your needs. Custom designs are always welcome. Please contact a design or sales associate with any questions or for further details.

F20 FOUNTAINS

OVERALL DIMENSIONS

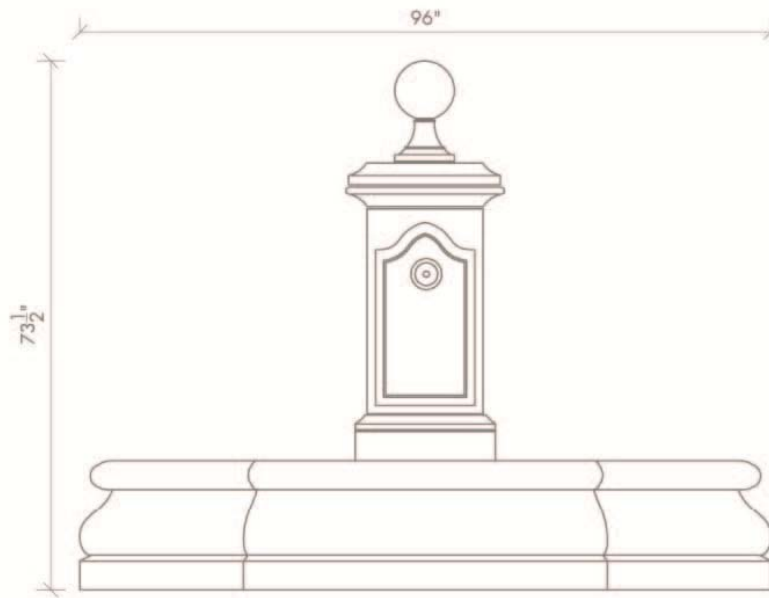


F-20

Additional Information: Architectural elements are available in 10 natural stones and hand carved with a Chateau (antiqued) or Classic (smooth) finish. Stone is a product of nature, therefore, its tone and color will vary. These drawings depict our standard designs with standard dimensions, and may be altered to better suit your specific project requirements. Most elements may be mixed and matched, creating designs more tailored to your needs. Custom designs are always welcome. Please contact a design or sales associate with any questions or for further details.

F22 FOUNTAINS

OVERALL DIMENSIONS

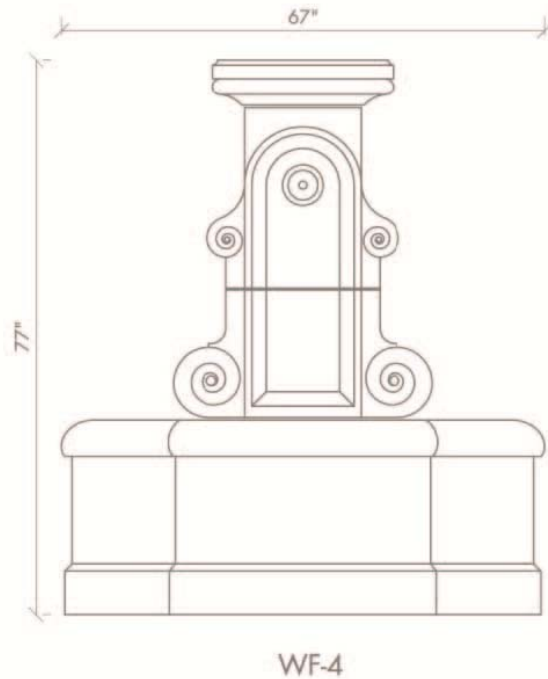


F-22

Additional Information: Architectural elements are available in 10 natural stones and hand carved with a Chateau (antiqued) or Classic (smooth) finish. Stone is a product of nature, therefore, its tone and color will vary. These drawings depict our standard designs with standard dimensions, and may be altered to better suit your specific project requirements. Most elements may be mixed and matched, creating designs more tailored to your needs. Custom designs are always welcome. Please contact a design or sales associate with any questions or for further details.

4 WALL FOUNTAINS

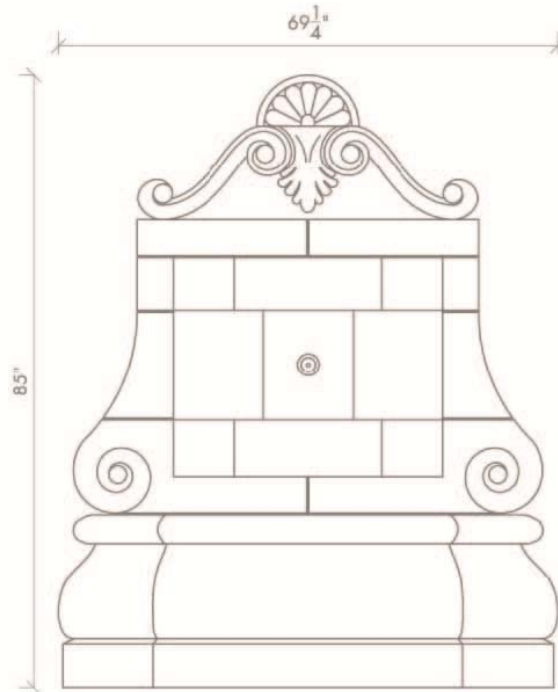
OVERALL DIMENSIONS



Additional Information: Architectural elements are available in 10 natural stones and hand carved with a Chateau (antiqued) or Classic (smooth) finish. Stone is a product of nature, therefore, its tone and color will vary. These drawings depict our standard designs with standard dimensions, and may be altered to better suit your specific project requirements. Most elements may be mixed and matched, creating designs more tailored to your needs. Custom designs are always welcome. Please contact a design or sales associate with any questions or for further details.

6 WALL FOUNTAINS

OVERALL DIMENSIONS

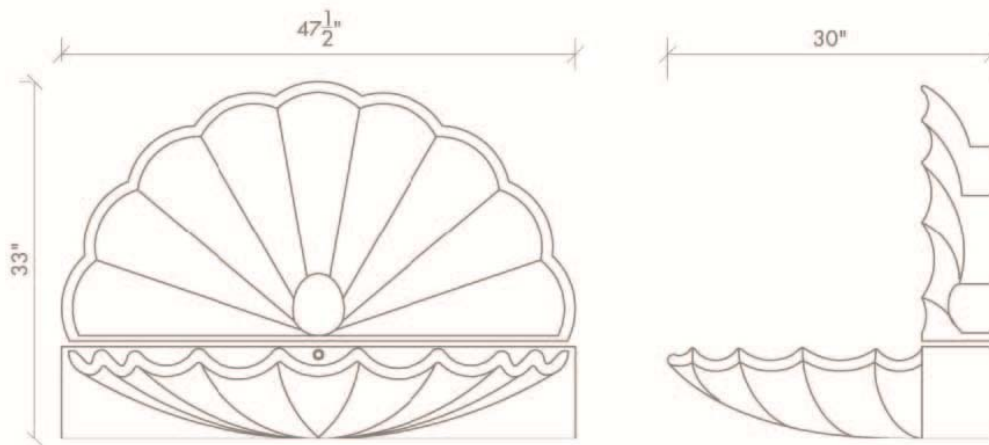


WF-6

Additional Information: Architectural elements are available in 10 natural stones and hand carved with a Chateau (antiqued) or Classic (smooth) finish. Stone is a product of nature, therefore, its tone and color will vary. These drawings depict our standard designs with standard dimensions, and may be altered to better suit your specific project requirements. Most elements may be mixed and matched, creating designs more tailored to your needs. Custom designs are always welcome. Please contact a design or sales associate with any questions or for further details.

10 WALL FOUNTAINS

OVERALL DIMENSIONS



WF-10

Additional Information: Architectural elements are available in 10 natural stones and hand carved with a Chateau (antiqued) or Classic (smooth) finish. Stone is a product of nature, therefore, its tone and color will vary. These drawings depict our standard designs with standard dimensions, and may be altered to better suit your specific project requirements. Most elements may be mixed and matched, creating designs more tailored to your needs. Custom designs are always welcome. Please contact a design or sales associate with any questions or for further details.