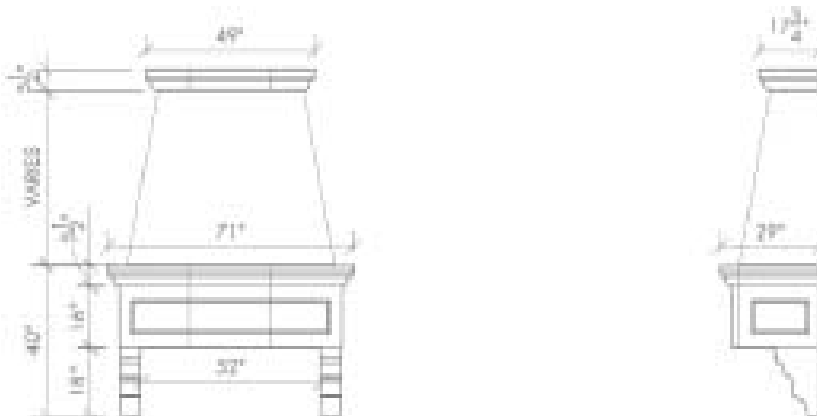


SORRENTO

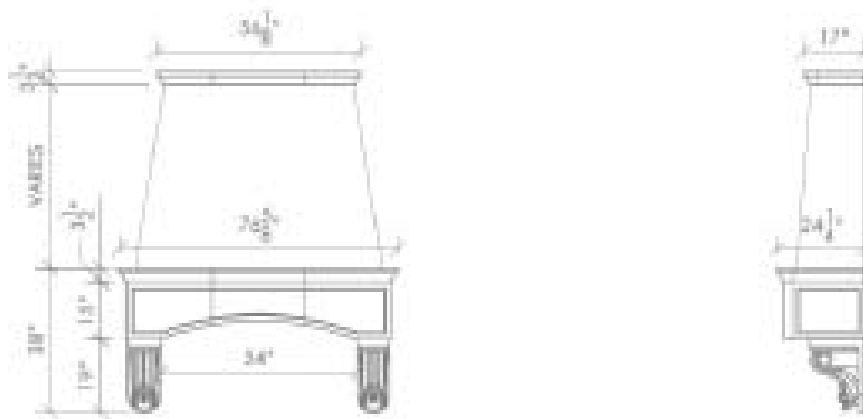
OVERALL DIMENSIONS



Additional Information: Architectural elements are available in 10 natural stones and hand carved with a Chateau (antiqued) or Classic (smooth) finish. Stone is a product of nature, therefore, its tone and color will vary. These drawings depict our standard designs with standard dimensions, and may be altered to better suit your specific project requirements. Most elements may be mixed and matched, creating designs more tailored to your needs. Custom designs are always welcome. Please contact a design or sales associate with any questions or for further details.

SOFIA

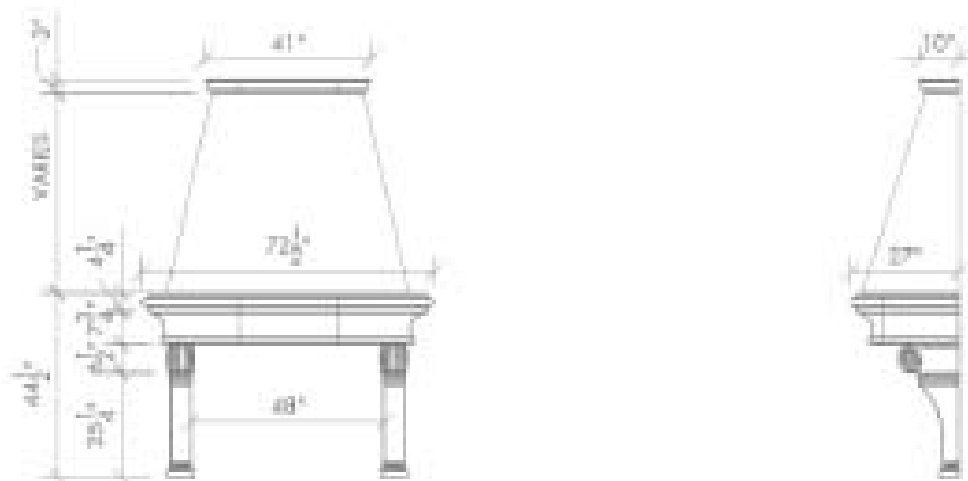
OVERALL DIMENSIONS



Additional Information: Architectural elements are available in 10 natural stones and hand carved with a Chateau (antiqued) or Classic (smooth) finish. Stone is a product of nature, therefore, its tone and color will vary. These drawings depict our standard designs with standard dimensions, and may be altered to better suit your specific project requirements. Most elements may be mixed and matched, creating designs more tailored to your needs. Custom designs are always welcome. Please contact a design or sales associate with any questions or for further details.

GENEVA

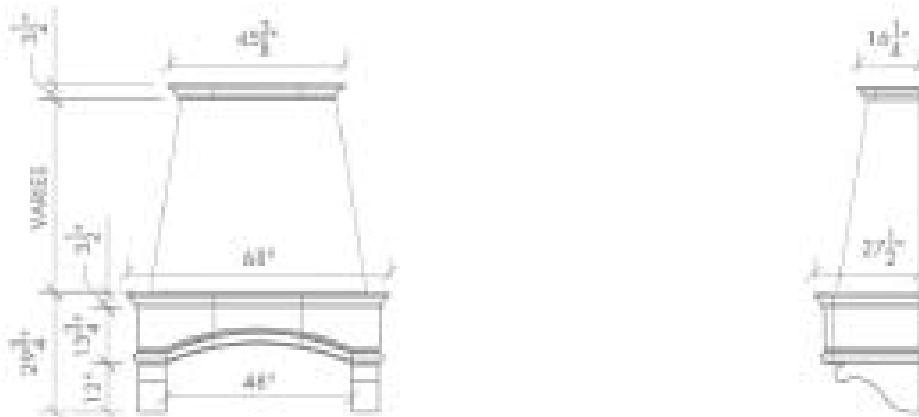
OVERALL DIMENSIONS



Additional Information: Architectural elements are available in 10 natural stones and hand carved with a Chateau (antiqued) or Classic (smooth) finish. Stone is a product of nature, therefore, its tone and color will vary. These drawings depict our standard designs with standard dimensions, and may be altered to better suit your specific project requirements. Most elements may be mixed and matched, creating designs more tailored to your needs. Custom designs are always welcome. Please contact a design or sales associate with any questions or for further details.

CARDIFF

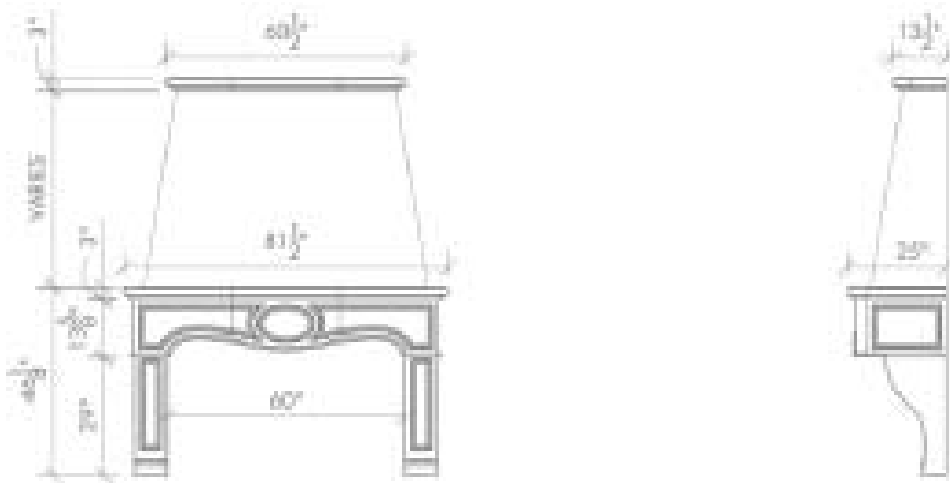
OVERALL DIMENSIONS



Additional Information: Architectural elements are available in 10 natural stones and hand carved with a Chateau (antiqued) or Classic (smooth) finish. Stone is a product of nature, therefore, its tone and color will vary. These drawings depict our standard designs with standard dimensions, and may be altered to better suit your specific project requirements. Most elements may be mixed and matched, creating designs more tailored to your needs. Custom designs are always welcome. Please contact a design or sales associate with any questions or for further details.

VIENNA

OVERALL DIMENSIONS



Additional Information: Architectural elements are available in 10 natural stones and hand carved with a Chateau (antiqued) or Classic (smooth) finish. Stone is a product of nature, therefore, its tone and color will vary. These drawings depict our standard designs with standard dimensions, and may be altered to better suit your specific project requirements. Most elements may be mixed and matched, creating designs more tailored to your needs. Custom designs are always welcome. Please contact a design or sales associate with any questions or for further details.

MONTICELLO

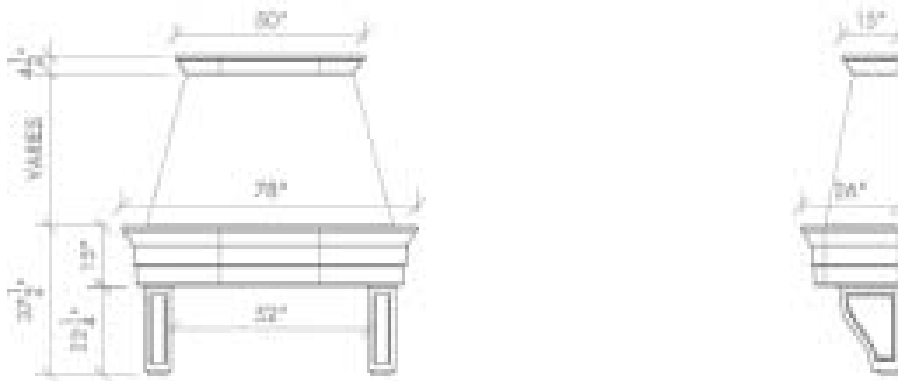
OVERALL DIMENSIONS



Additional Information: Architectural elements are available in 10 natural stones and hand carved with a Chateau (antiqued) or Classic (smooth) finish. Stone is a product of nature, therefore, its tone and color will vary. These drawings depict our standard designs with standard dimensions, and may be altered to better suit your specific project requirements. Most elements may be mixed and matched, creating designs more tailored to your needs. Custom designs are always welcome. Please contact a design or sales associate with any questions or for further details.

TOULOUSE

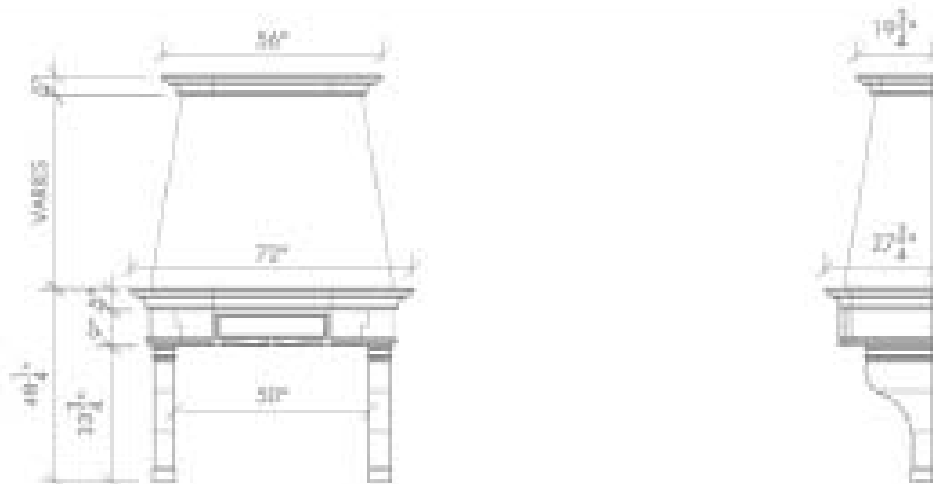
OVERALL DIMENSIONS



Additional Information: Architectural elements are available in 10 natural stones and hand carved with a Chateau (antiqued) or Classic (smooth) finish. Stone is a product of nature, therefore, its tone and color will vary. These drawings depict our standard designs with standard dimensions, and may be altered to better suit your specific project requirements. Most elements may be mixed and matched, creating designs more tailored to your needs. Custom designs are always welcome. Please contact a design or sales associate with any questions or for further details.

CORANADO

OVERALL DIMENSIONS



Additional Information: Architectural elements are available in 10 natural stones and hand carved with a Chateau (antiqued) or Classic (smooth) finish. Stone is a product of nature, therefore, its tone and color will vary. These drawings depict our standard designs with standard dimensions, and may be altered to better suit your specific project requirements. Most elements may be mixed and matched, creating designs more tailored to your needs. Custom designs are always welcome. Please contact a design or sales associate with any questions or for further details.

VERONA

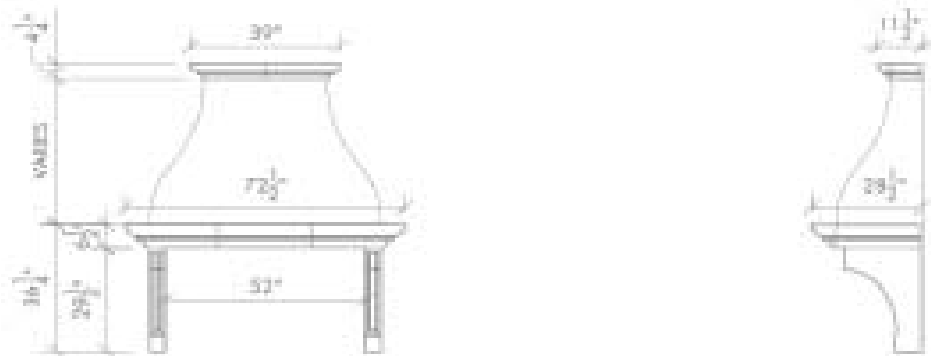
OVERALL DIMENSIONS



Additional Information: Architectural elements are available in 10 natural stones and hand carved with a Chateau (antiqued) or Classic (smooth) finish. Stone is a product of nature, therefore, its tone and color will vary. These drawings depict our standard designs with standard dimensions, and may be altered to better suit your specific project requirements. Most elements may be mixed and matched, creating designs more tailored to your needs. Custom designs are always welcome. Please contact a design or sales associate with any questions or for further details.

VARESE

OVERALL DIMENSIONS



Additional Information: Architectural elements are available in 10 natural stones and hand carved with a Chateau (antiqued) or Classic (smooth) finish. Stone is a product of nature, therefore, its tone and color will vary. These drawings depict our standard designs with standard dimensions, and may be altered to better suit your specific project requirements. Most elements may be mixed and matched, creating designs more tailored to your needs. Custom designs are always welcome. Please contact a design or sales associate with any questions or for further details.