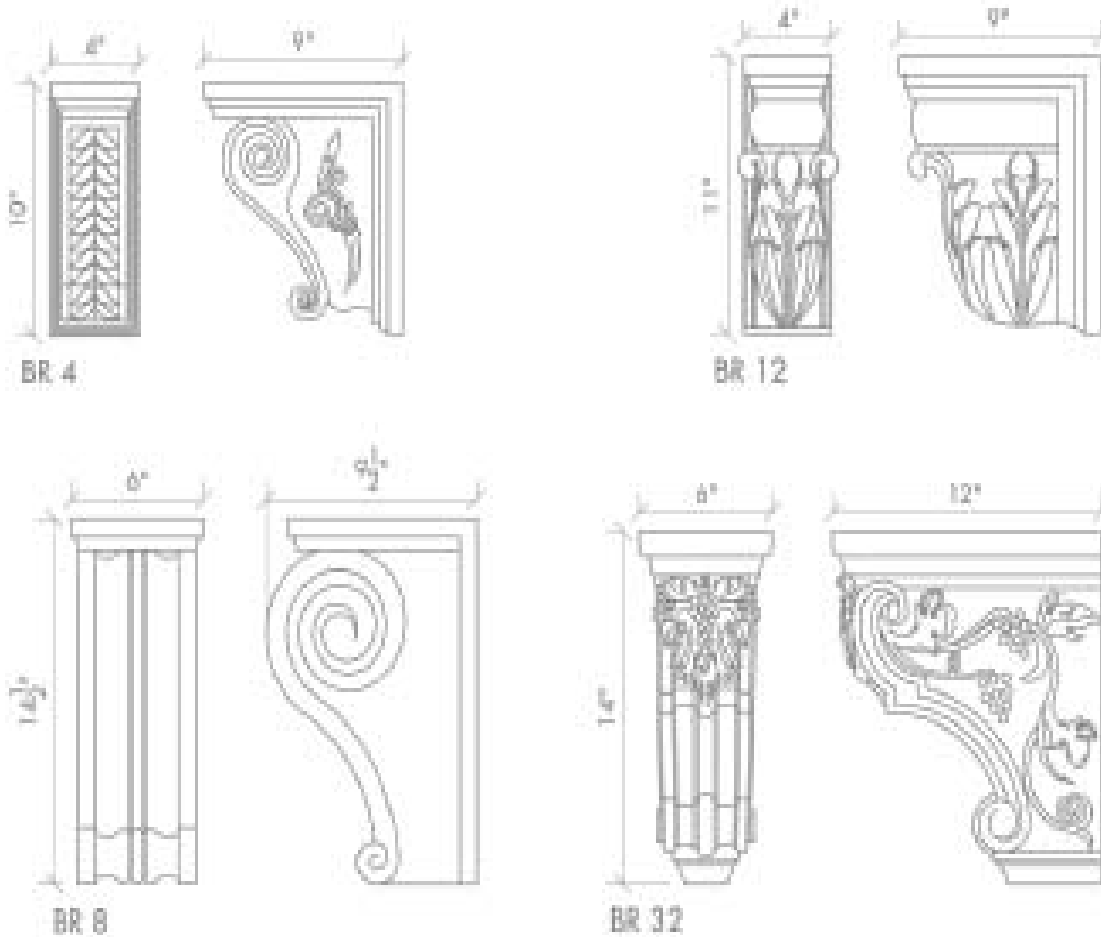


GROUP A BRACKETS

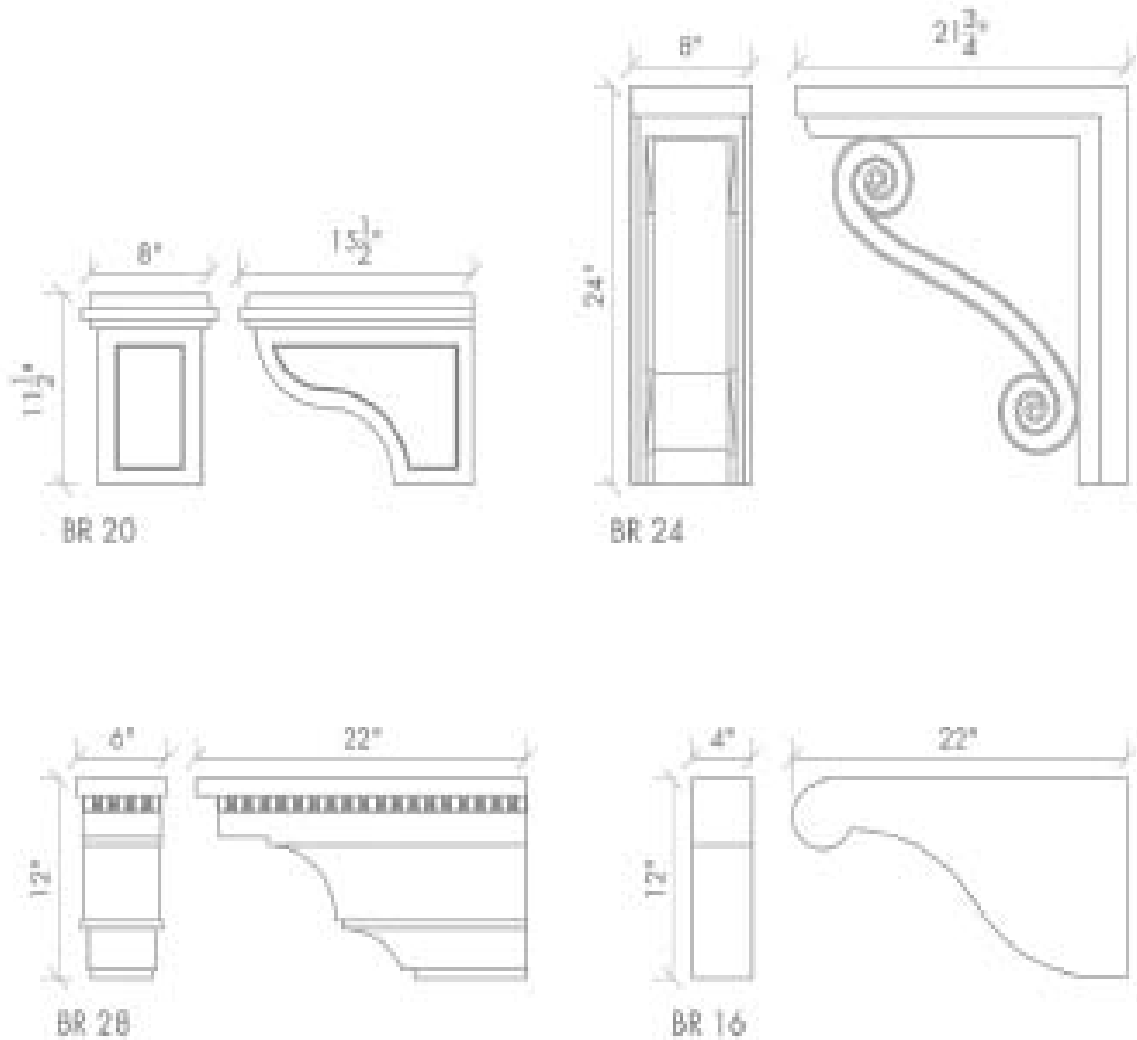
OVERALL DIMENSIONS



Additional Information: Architectural elements are available in 10 natural stones and hand carved with a Chateau (antiqued) or Classic (smooth) finish. Stone is a product of nature, therefore, its tone and color will vary. These drawings depict our standard designs with standard dimensions, and may be altered to better suit your specific project requirements. Most elements may be mixed and matched, creating designs more tailored to your needs. Custom designs are always welcome. Please contact a design or sales associate with any questions or for further details.

GROUP B BRACKETS

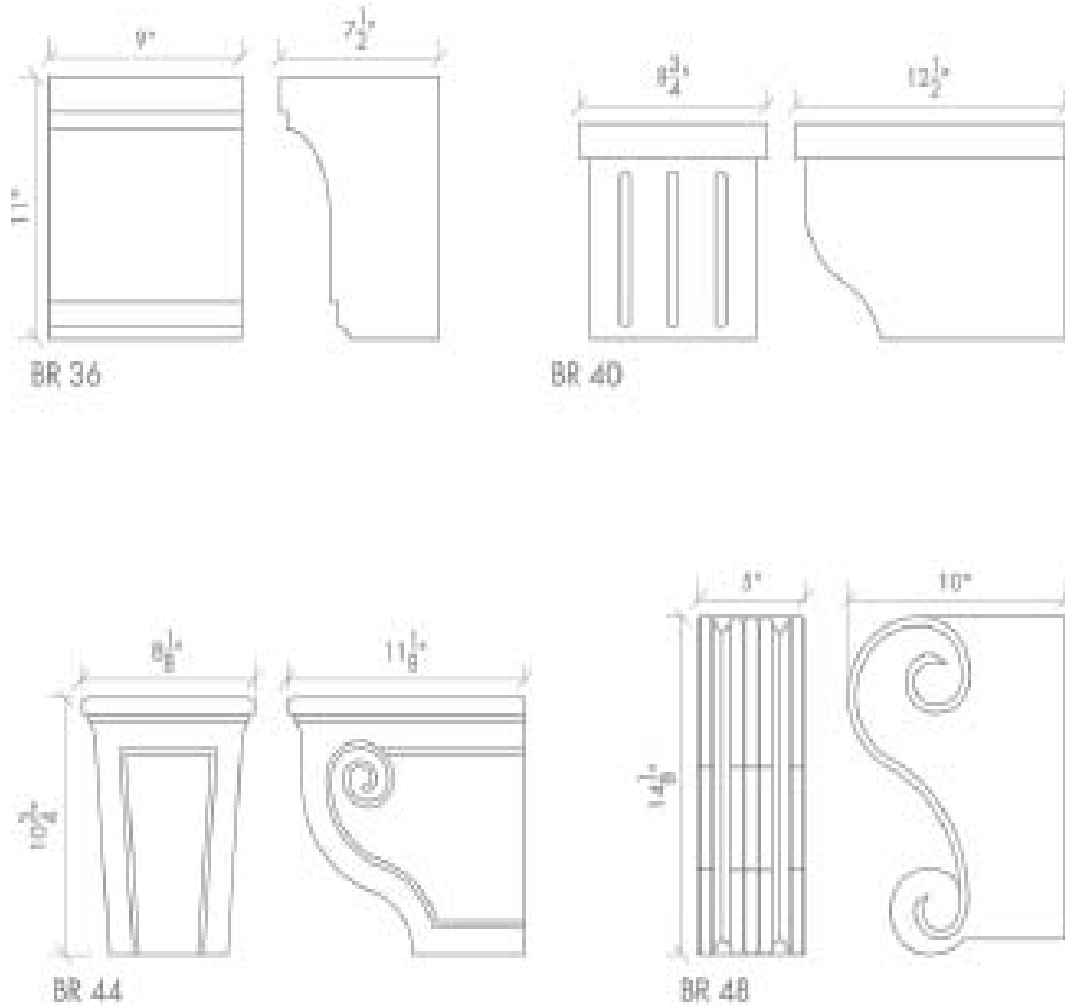
OVERALL DIMENSIONS



Additional Information: Architectural elements are available in 10 natural stones and hand carved with a Chateau (antiqued) or Classic (smooth) finish. Stone is a product of nature, therefore, its tone and color will vary. These drawings depict our standard designs with standard dimensions, and may be altered to better suit your specific project requirements. Most elements may be mixed and matched, creating designs more tailored to your needs. Custom designs are always welcome. Please contact a design or sales associate with any questions or for further details.

GROUP C BRACKETS

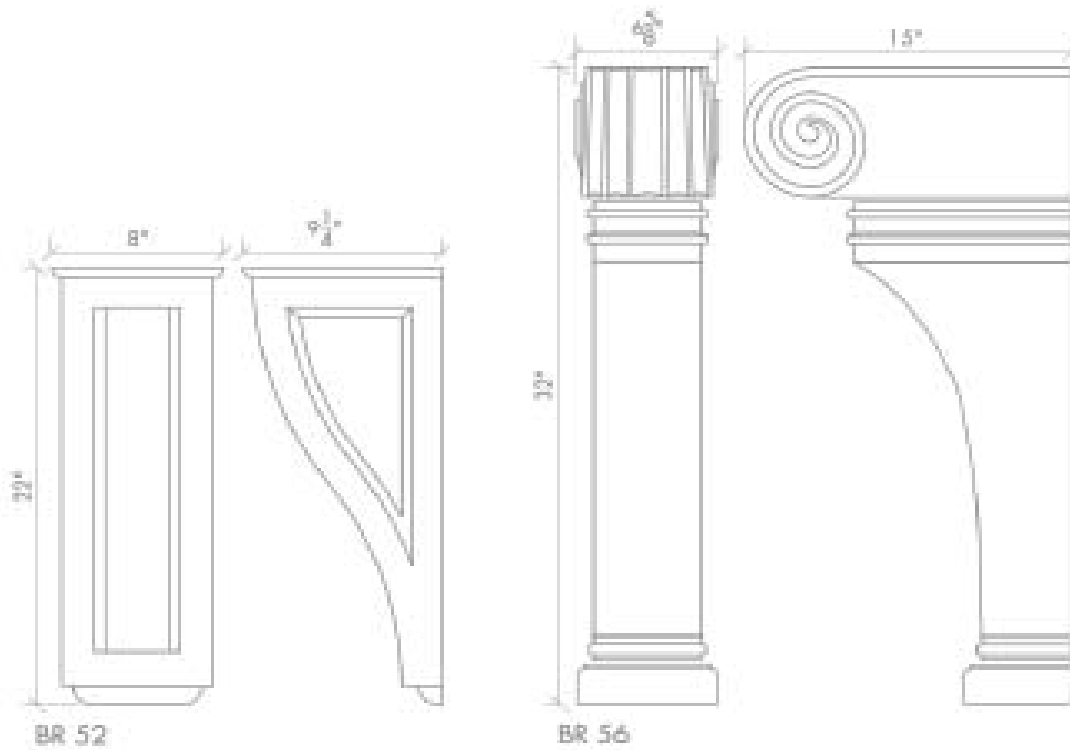
OVERALL DIMENSIONS



Additional Information: Architectural elements are available in 10 natural stones and hand carved with a Chateau (antiqued) or Classic (smooth) finish. Stone is a product of nature, therefore, its tone and color will vary. These drawings depict our standard designs with standard dimensions, and may be altered to better suit your specific project requirements. Most elements may be mixed and matched, creating designs more tailored to your needs. Custom designs are always welcome. Please contact a design or sales associate with any questions or for further details.

GROUP D BRACKETS

OVERALL DIMENSIONS



Additional Information: Architectural elements are available in 10 natural stones and hand carved with a Chateau (antiqued) or Classic (smooth) finish. Stone is a product of nature, therefore, its tone and color will vary. These drawings depict our standard designs with standard dimensions, and may be altered to better suit your specific project requirements. Most elements may be mixed and matched, creating designs more tailored to your needs. Custom designs are always welcome. Please contact a design or sales associate with any questions or for further details.