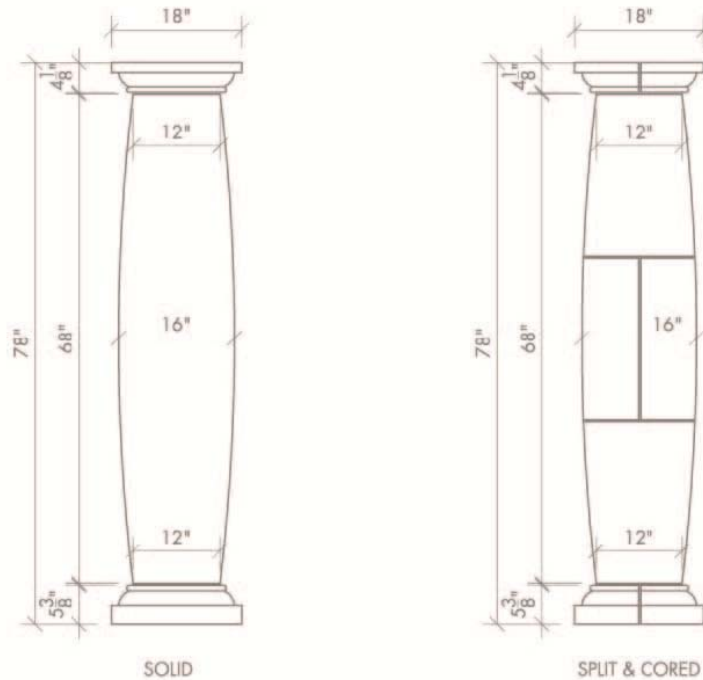


BULGED COLUMNS

OVERALL DIMENSIONS

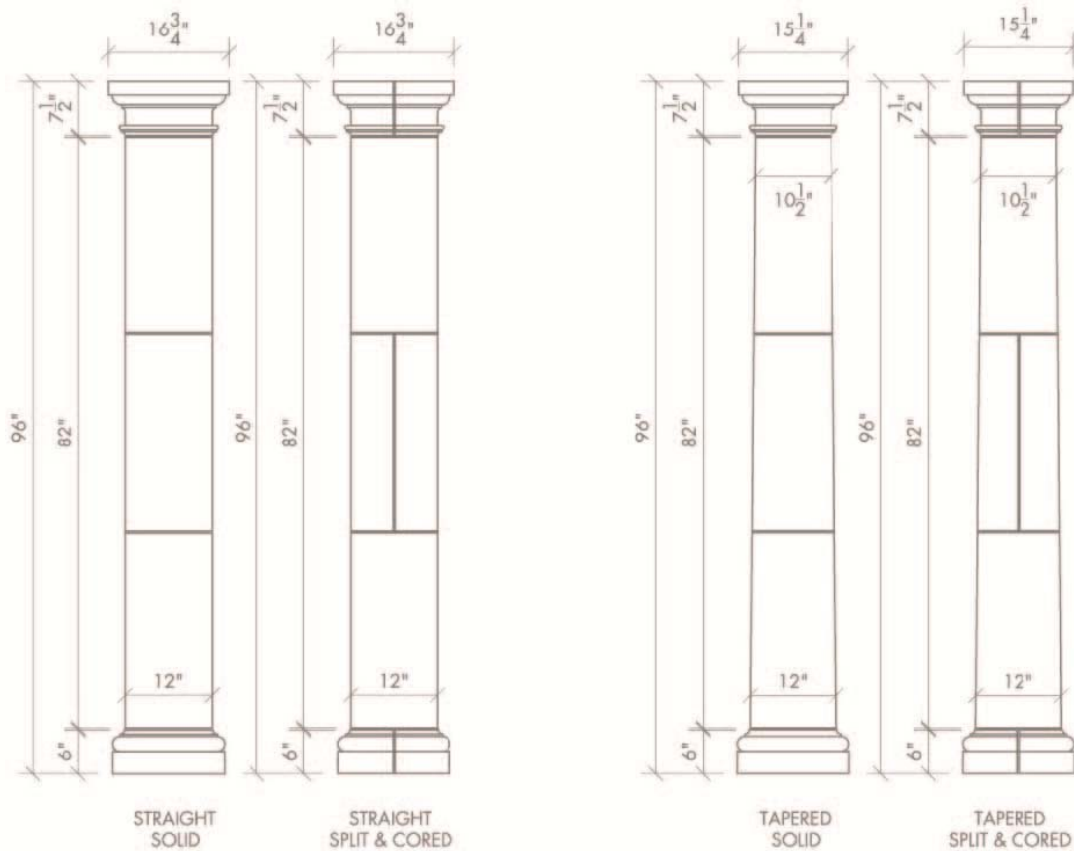


BULGED

Additional Information: Architectural elements are available in 10 natural stones and hand carved with a Chateau (antiqued) or Classic (smooth) finish. Stone is a product of nature, therefore, its tone and color will vary. These drawings depict our standard designs with standard dimensions, and may be altered to better suit your specific project requirements. Most elements may be mixed and matched, creating designs more tailored to your needs. Custom designs are always welcome. Please contact a design or sales associate with any questions or for further details.

DORIC COLUMNS

OVERALL DIMENSIONS

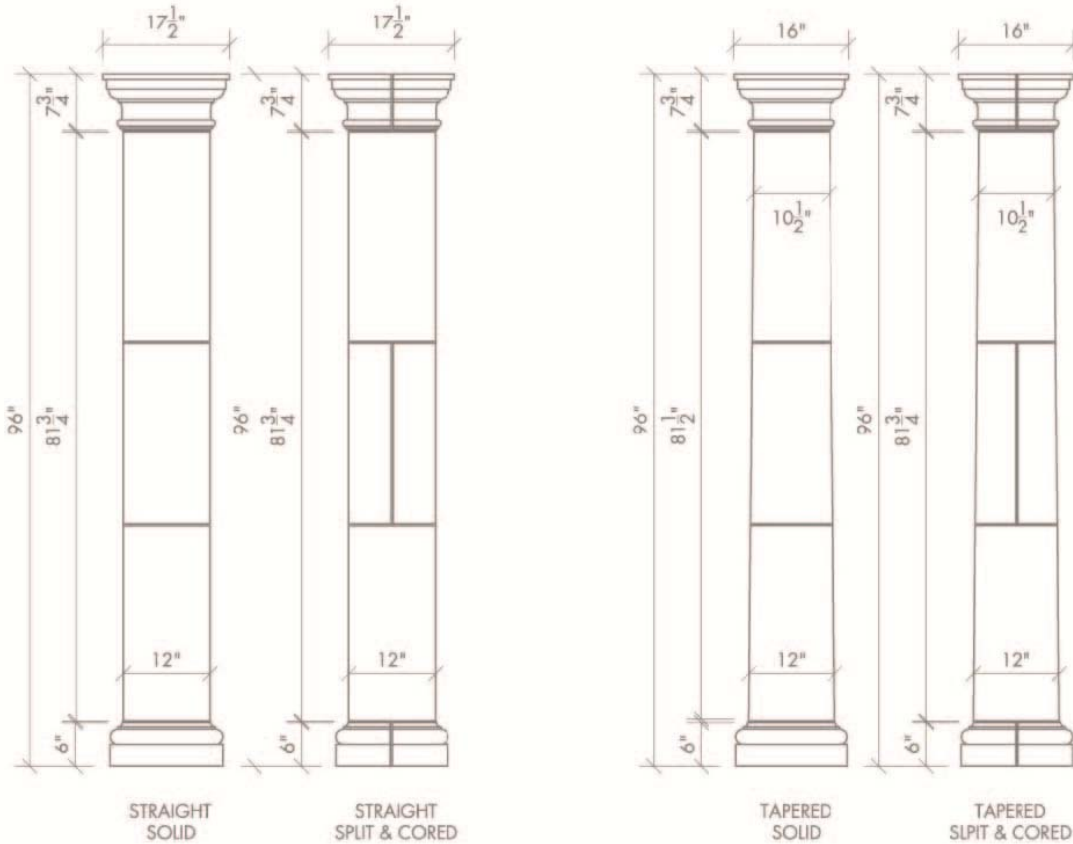


DORIC

Additional Information: Architectural elements are available in 10 natural stones and hand carved with a Chateau (antiqued) or Classic (smooth) finish. Stone is a product of nature, therefore, its tone and color will vary. These drawings depict our standard designs with standard dimensions, and may be altered to better suit your specific project requirements. Most elements may be mixed and matched, creating designs more tailored to your needs. Custom designs are always welcome. Please contact a design or sales associate with any questions or for further details.

TUSCAN COLUMNS

OVERALL DIMENSIONS

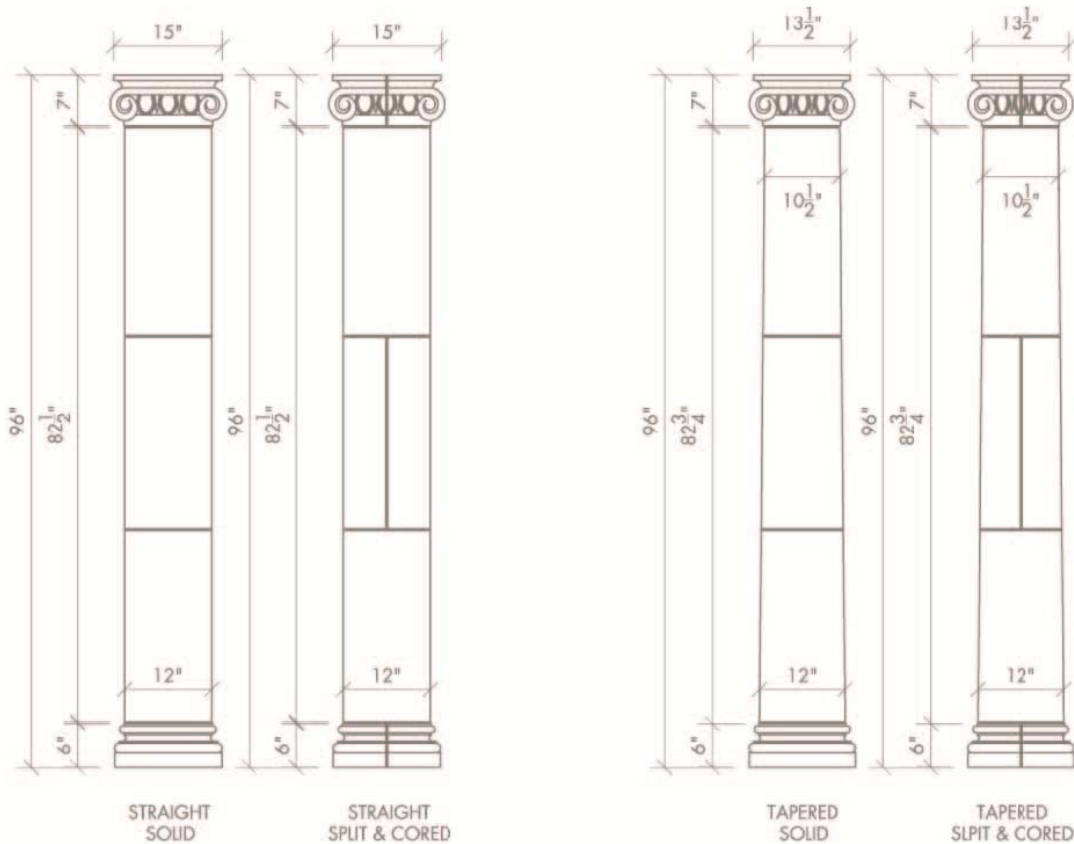


TUSCAN

Additional Information: Architectural elements are available in 10 natural stones and hand carved with a Chateau (antiqued) or Classic (smooth) finish. Stone is a product of nature, therefore, its tone and color will vary. These drawings depict our standard designs with standard dimensions, and may be altered to better suit your specific project requirements. Most elements may be mixed and matched, creating designs more tailored to your needs. Custom designs are always welcome. Please contact a design or sales associate with any questions or for further details.

IONIC COLUMNS

OVERALL DIMENSIONS

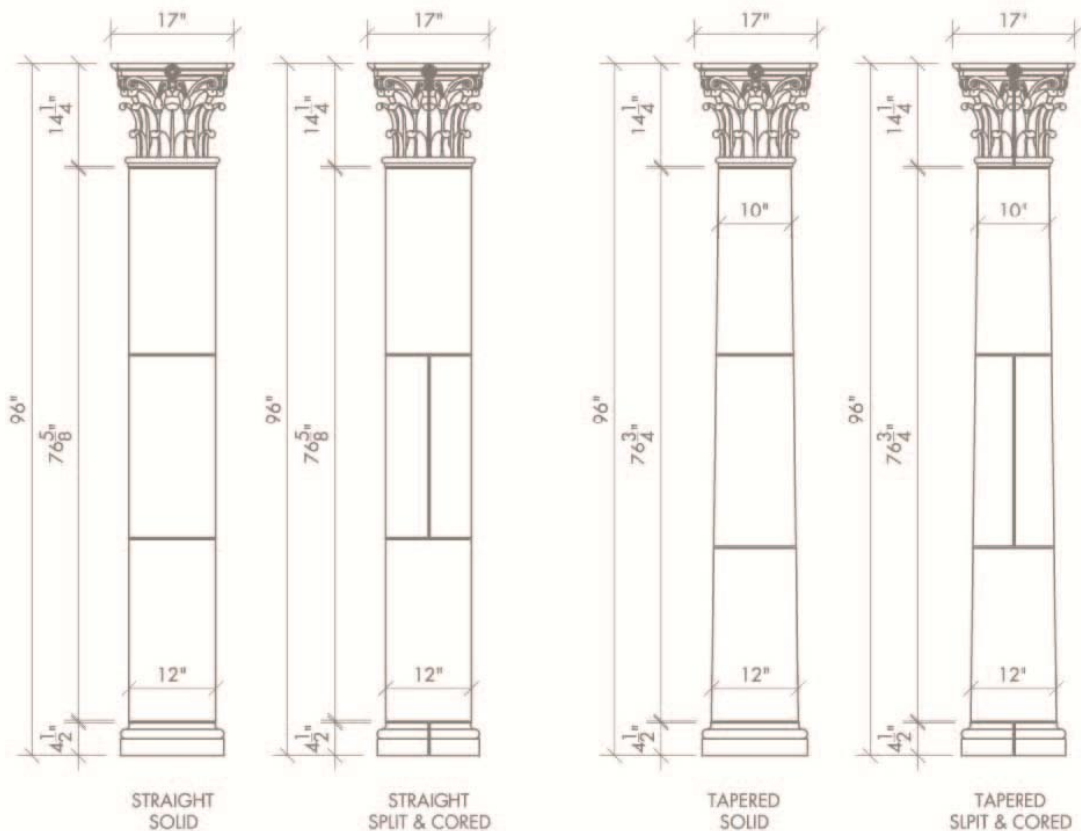


IONIC

Additional Information: Architectural elements are available in 10 natural stones and hand carved with a Chateau (antiqued) or Classic (smooth) finish. Stone is a product of nature, therefore, its tone and color will vary. These drawings depict our standard designs with standard dimensions, and may be altered to better suit your specific project requirements. Most elements may be mixed and matched, creating designs more tailored to your needs. Custom designs are always welcome. Please contact a design or sales associate with any questions or for further details.

CORINTHIAN COLUMNS

OVERALL DIMENSIONS



CORINTHIAN

Additional Information: Architectural elements are available in 10 natural stones and hand carved with a Chateau (antiqued) or Classic (smooth) finish. Stone is a product of nature, therefore, its tone and color will vary. These drawings depict our standard designs with standard dimensions, and may be altered to better suit your specific project requirements. Most elements may be mixed and matched, creating designs more tailored to your needs. Custom designs are always welcome. Please contact a design or sales associate with any questions or for further details.